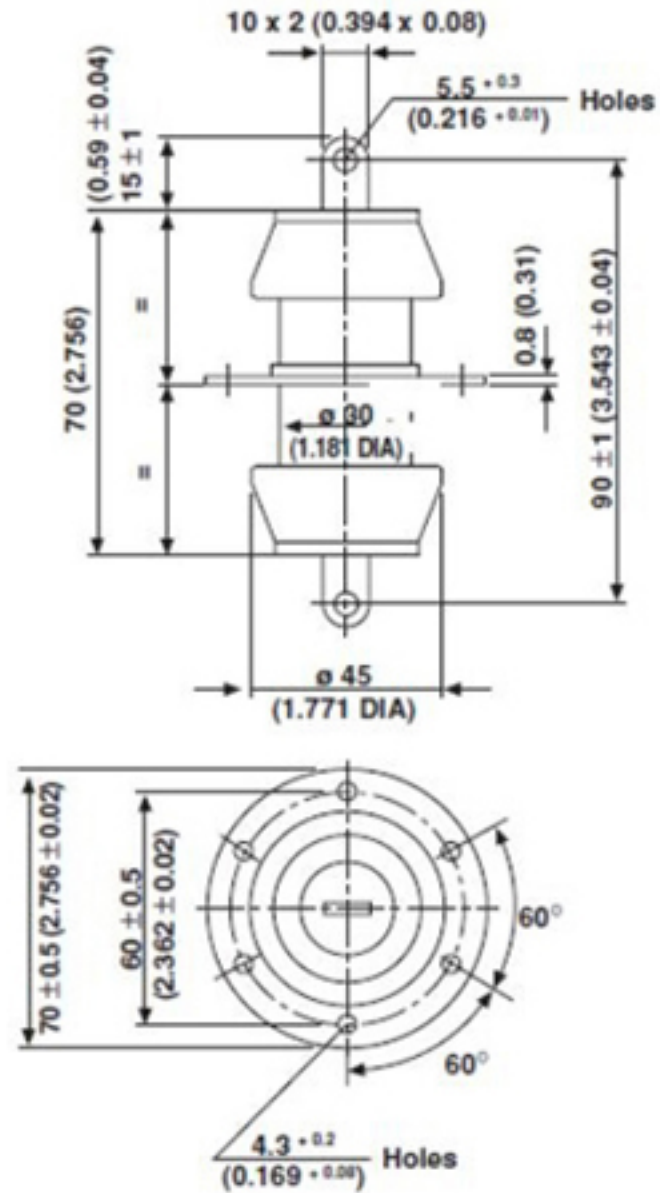




Feedthrough High Voltage Ceramic Capacitor



CERAMIC	CAPACITANCE VALUE [pF]	RATED VOLTAGE [KV _p]	RATED POWER [KVA _r]	RATED CURRENT [A _{RMS}]
R 85	500	8	16	10
	600			
	800			

High power ceramic capacitor technical parameters:

1. Typical dissipation factor: ≤ 3 ;
2. Volume resistivity: $\geq 10000\text{M}\Omega$;
3. Permissible variation of rated capacitance: K (+/-10%) ;
4. Temperature range: -60/+85/04;
5. Rated temperature: +85°C;
6. Test voltage: 1.5 times of rated voltage if the rated voltage > 15KV.