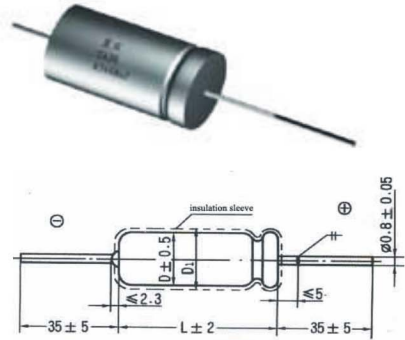


## Features

- Operating Temperature Range: Class I:  $-55^{\circ}\text{C} \sim +125^{\circ}\text{C}$  ( $>85^{\circ}\text{C}$  with rated voltage derating); Class II:  $-55^{\circ}\text{C} \sim +85^{\circ}\text{C}$ .
- Capacitance Tolerance:  $\pm 20\%$ ,  $\pm 10\%$
- DC Leakage: at  $+20^{\circ}\text{C}$ ,  $I \leq 0.001\text{CRVR}$  or  $1\mu\text{A}$  (Whichever is greater); at  $+85^{\circ}\text{C}$ ,  $I \leq 8I_0$ ; at  $+125^{\circ}\text{C}$ ,  $I \leq 10I_0$
- Temperature Characteristics: See table 1
- Dissipation Factor at  $20^{\circ}\text{C}$ : please see Table 2
- Case sizes, Dimensions and Max. weight: As shown in Table 1 and figure 1.

## Brief Introduction

CA30 Series half-sealed tubular wet tantalum electrolytic capacitors with polar axial leads are characterized in small size, low DC Leakage, stable and excellent performances, high reliability and long life. CA30 Series meets the requirements of Chinese Electronic industry standard SJ/T10030-91, widely used in electronic equipment for military and civil applications such as telecommunication, aerospace and aviation.



## Values of Dissipation Factor at 100Hz 20°C

table 1

Rated Voltage (V)			6.3	10	16	25	40	63	100	125
Voltage Derating (V)			4	6.3	10	16	25	40	63	75
Case Size	D×L Max	Max. Weight(g)	Nominal Capacitance (μF)							
1	5 × 14	4	22	15	10	6.8	4.7	2.2	1.5	1.0
			33	22	15	10	6.8	3.3	2.2	1.5
			47	33	22	15	10	4.7	3.3	2.2
			68	47	33	22	15	6.8	4.7	3.3
			100	68	47	33	22	10	6.8	4.7
2	6 × 16	5	150	100	68	47	33	15	10	6.8
			220	150	100	68	47	22	15	10
3	8 × 16	7	330	220	150	100	68	33	22	15
			470	330	220	150	100	47	33	22
4	8 × 22	10	680	470	330	220	150	68	47	33
5	10 × 22	14	1000	680	470	330	220	100	68	47
56	10 × 25	17		1000	680	470	330	150	100	68

## Values of Dissipation Factor at 100Hz 20°C

table 2

CR (μF)	1.0 ~ 2.2	3.3	4.7	6.8	10	15	22	33	47	68	100	150	220	330	470	680	1000
UR (V)	Values of dissipation Factor at 20°C 100Hz																
6.3							15	20	25	30	35	40	70	50	85	80	90
10						10	15	15	15	30	20	50	45	70	75	65	80
16					10	10	10	12	20	20	35	35	60	70	50	70	
25				8	8	10	10	20	15	30	25	50	50	40	50		
40			6	8	8	10	20	12	25	20	35	35	30	45			
63	6	6	6	8	8	10	18	12	25	25	20	28					
100	6	6	6	8	10	18	15	25	28	20	25						
125	6	6	6	8	15	15	23	23	20	23							